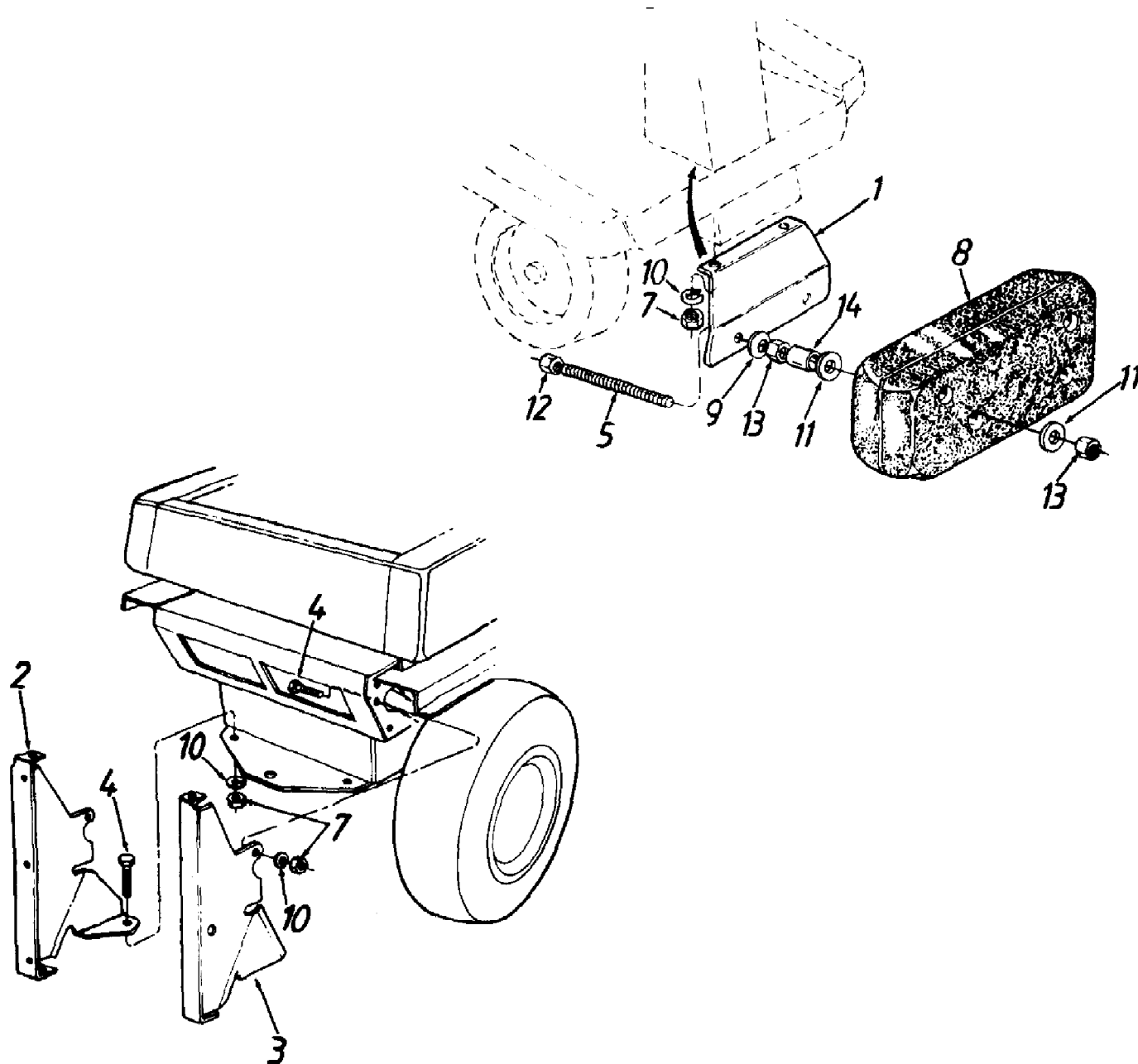


190-435-190 Adapter for 190-063 (1996)
Grass Collector Mounting Kit



190-435-190 Adapter for 190-063 (1996)
Grass Collector Mounting Kit

Page 2 of 2

Ref #	Part Number	Qty	S/P/F	Description
1	15540	1		Counterweight Support Brkt.
2	15970A	1	/P	Catcher Support Brkt. - R.H.
3	15971A	1		Catcher Support Brkt. - L.H.
4	710-0376	4	/P	Hex Bolt 5/16-18 x 1.0" Lg.
5	711-3373	2		Stud 7/16-14 x 5-5/8" Lg.
7	712-3010	6	S	Hex Nut 5/16-18 Thd. (Gr. 5)
8	723-0367	1		Front Counterweight
9	736-0439	2		Bell-Wash. 7/16" I.D.
10	736-0119	6	S/F	L-Wash. 5/16" I.D.
11	736-0322	4	/P	FI-Wash. .45" I.D.
12	712-0290	2	/P	Hex L-Nut 7/16-14 Thd.
13	712-3019	4	S	Hex Nut 7/16-14 Thd.
14	750-0499	2	/P	Spacer